

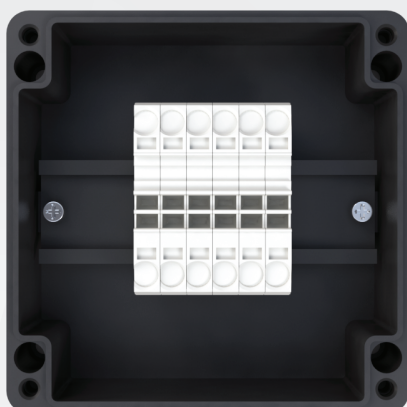
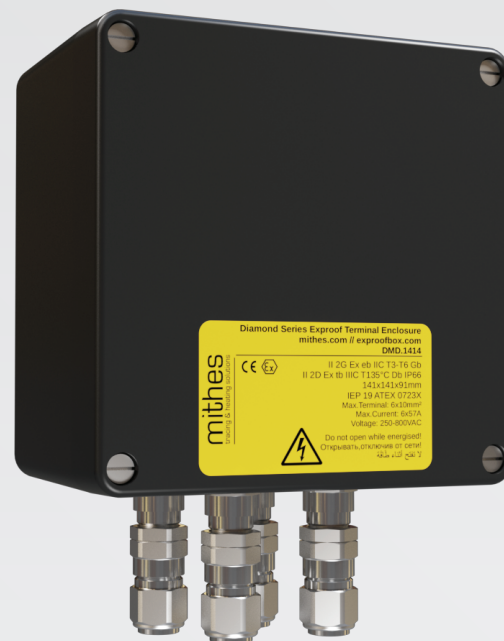
DIAMOND SERIES EXPROOF TERMINAL ENCLOSURES



TYPE 14

Diamond Series Exproof Enclosures are designed and manufactured to be used as a terminal or junction box in potentially explosive areas for connection of power or signal cables. These enclosures are made from glass re-inforced polyester (GRP) which is self-extinguishing according to UL 94 (V0). As a standard, enclosure is provided without terminals and cable glands which are subject to be chosen specifically for the application. Enclosures with different variations concerning entries, cable glands and terminals are available upon request.

Robust and corrosion resistant glass reinforced polyester provides perfect mechanical resistance and durability along many years in operation. Also the raw material additive graphite helps to reduce the risk of static spark as a result of reduced surface resistance. 5mm of wall thickness of the enclosure provides a wide range of thread forms to be drilled and tapped.



Enclosure can be used for LSZH (low smoke zero halogen) applications. Moreover, by means of providing long period of operation during fire, Diamond Series enclosures can be preferred to maintain electrical circuit integrity to power and signal cables, emergency devices in applications where there is a risk of fire.

Diamond Series enclosures / junction boxes are suitable to be used for indoor and outdoor applications thanks to the high degree of protection, IP66. Moreover, GRP body provides sea water corrosion resistance and also it is suitable to be used in where chemical substances exist.

TECHNICAL DETAILS

Applications:

Hazardous & Safe Industrial Areas
(Indoor & Outdoor)

Material:

Body and Cover: Glass Reinforced Polyester (GRP), UV Resistant, Flame Retardant, V0 (UL94)

Screws:

Stainless Steel (M5, Allen)

Color:

RAL 7026, Granite Grey

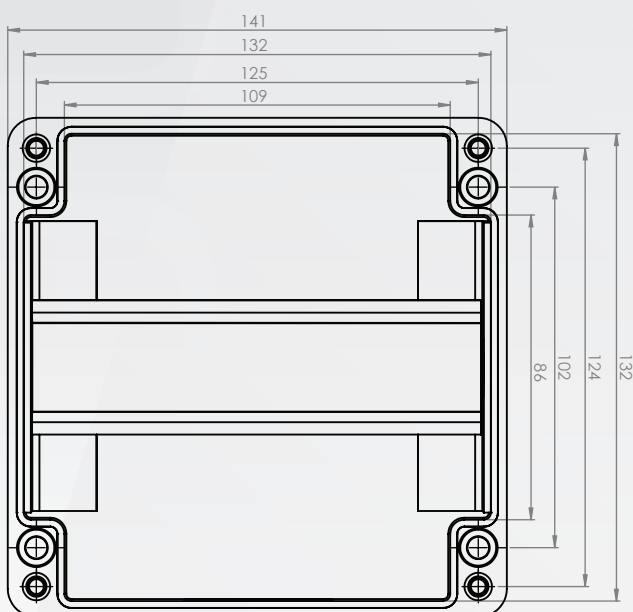
Operating Temperature Rating:

-65°C / + 135°C

Protection Class:

IP66

Dimensions :



Included Components:

DIN rail
Internal earthing plates
Equipotential earthing screw
Rail and cover screws

Excluded Components: (available upon request)

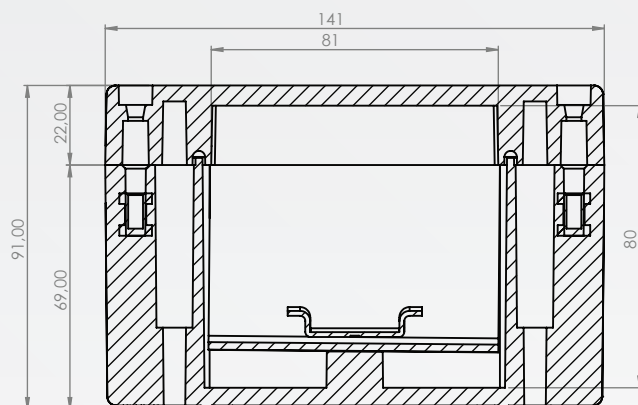
Terminals and glands
(in potentially explosive areas, Ex certified terminals and glands must be used together with this enclosure)

Certification:

ATEX – Zone1
II 2G Ex eb IIC T3-T6 Gb
II 2D Ex tb IIIC T135°C Db IP66
EACex - RU C-TR.AД07.B04628/22

Terminals:

6x10mm² max



Please consult on sales representative for enclosures with different dimensions.